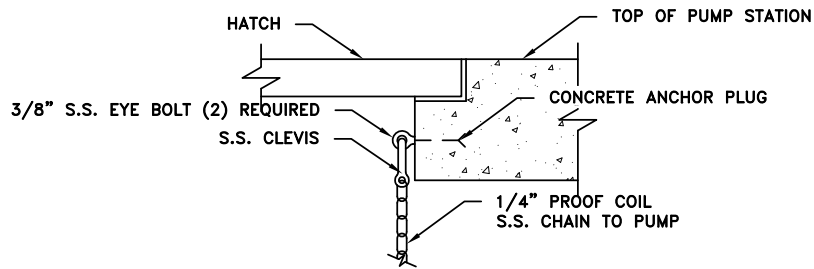
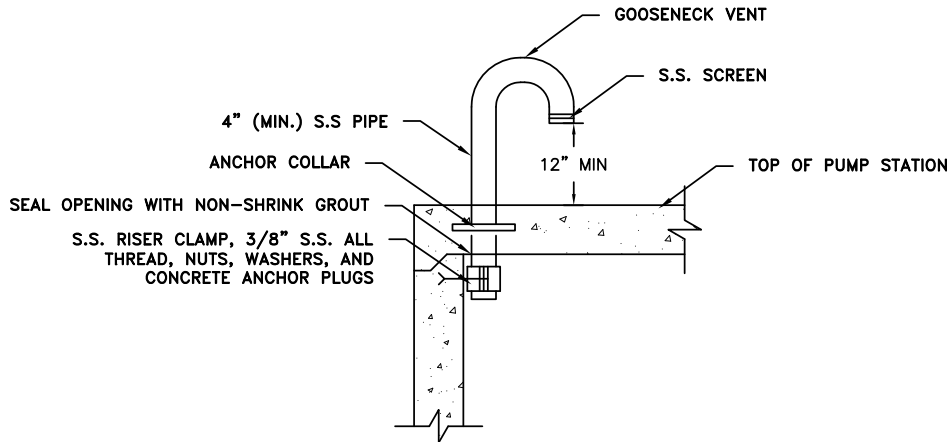


TYPICAL FLOAT HANGER BRACKET DETAIL



TYPICAL PUMP LIFT CHAIN ANCHOR DETAIL



TYPICAL PUMP STATION VENT DETAIL

| | | | |
|--|---|--|--------------------------------|
| | REVISIONS | AMERICAN WATER MILITARY SERVICES GROUP CIVIL PUMP STATION DETAILS | |
| | 6/13 - MSG EDITS | | |
| | | AMERICAN WATER MILITARY SERVICES GROUP CAMDEN, NJ 08102 | |
| | | AMERICAN WATER M.S.G. 1 WATER STREET CAMDEN, NJ 08102 | |
| | | DRAWN BY Z. ALAM PROJECT ENG'R PDK APPROVED | DATE 04-30-2010 PROJECT N/A |
| | USE APPROVED DRAWINGS ONLY FOR CONSTRUCTION PURPOSES | | MSG-WW-03 |