

# Water-wise and Fire-smart Gardens

## Low Water-use Plants for Full Sun to Part Shade Conditions

### Drip Specs

Landscape area: 782 sq. ft.  
 Soil type: Assumed Clay loam  
 Static pressure: Assumed higher than 50 psi

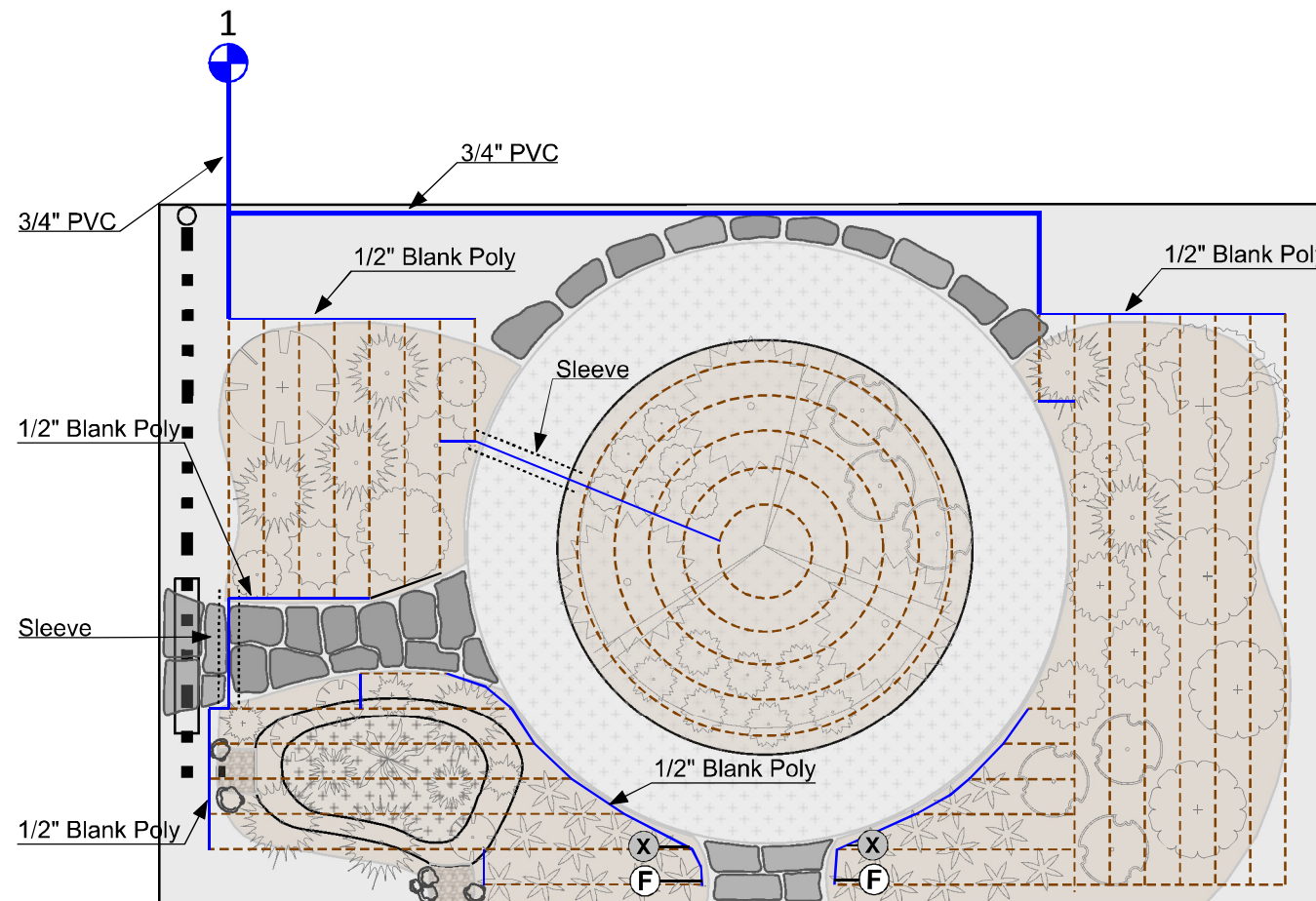
Drip emitter flow: 0.6 gph  
 Drip emitter spacing: 12"  
 Drip row spacing: 18"  
 Drip application rate: 0.64 in/hr

### Assumptions

1. The soil type has a high percentage of clay.
2. The static water pressure for the property is at least 50 psi. Static pressure is the reading with no water running.

### Notes

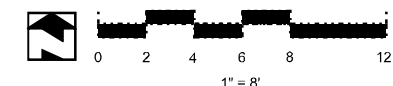
1. This example irrigation plan was designed for a combined landscape area of 782 square feet. When applied to different sizes and shapes of landscapes, more valves could be needed.
2. Zones 1 has 3/4" PVC running from the valve to the grids. This is to support the 5.6 gpm flow of the zone.
3. Use sleeves to run blank tubing under flag-stones and gravel paths.
4. See details sheet for more example grid layouts.
5. It's highly recommended to use dripline with check valves. These hold the water in the tubing when the water drip zone is finished watering. Most dripline products on the market will hold back water to at least 4.5 feet of elevation.
6. Anti-syphon valves must be installed 6 to 12 inches higher in elevation than the highest point they water.
7. Do not combine sprinklers and drip in the same irrigation zone.



### Irrigation Key

- Irrigation Valve
- PVC Lateral
- In-line Drip Tubing
- Blank Drip Tubing
- Drip Manual Line-Flushing Valve
- Drip Operation Indicator

Zone 1  
 Low-water plants  
 782 sq. ft.  
 557 lin. ft. tubing  
 5.6 gpm



Plan is To-scale When Printed  
 on 11" x 17" Paper

Lori Palmquist  
 CID, CIC, CLIA, CLWM  
 Irrigation Design & Consulting  
 support@loripalmquist.com  
 510-374-6360



**SHEET DESCRIPTION:**  
 Irrigation Plan

**PROJECT:**  
 Water-wise and Fire-smart Gardens

**CALIFORNIA AMERICAN WATER**

**REVISIONS:**  
 N/A

**DATE:**  
 2022

**JOB NUMBER:**  
 1

**DRAWN BY:**  
 LP

**CHECKED BY:**  
 CB

**SCALE:**  
 1" = 8'

**SHEET:**  
 1 of 2

## Design Layout

### SUBSURFACE/SURFACE DESIGN LAYOUT

For use with Techline® dripline designs.  
Bury driplines evenly throughout the zone from 4" to 6" deep or on-surface under mulch.

#### SUPPLY AND EXHAUST HEADERS

Most often used in subsurface systems. Use Techline blank tubing as supply and exhaust headers on zones under 5 GPM. (See Page 6)

#### STAPLES

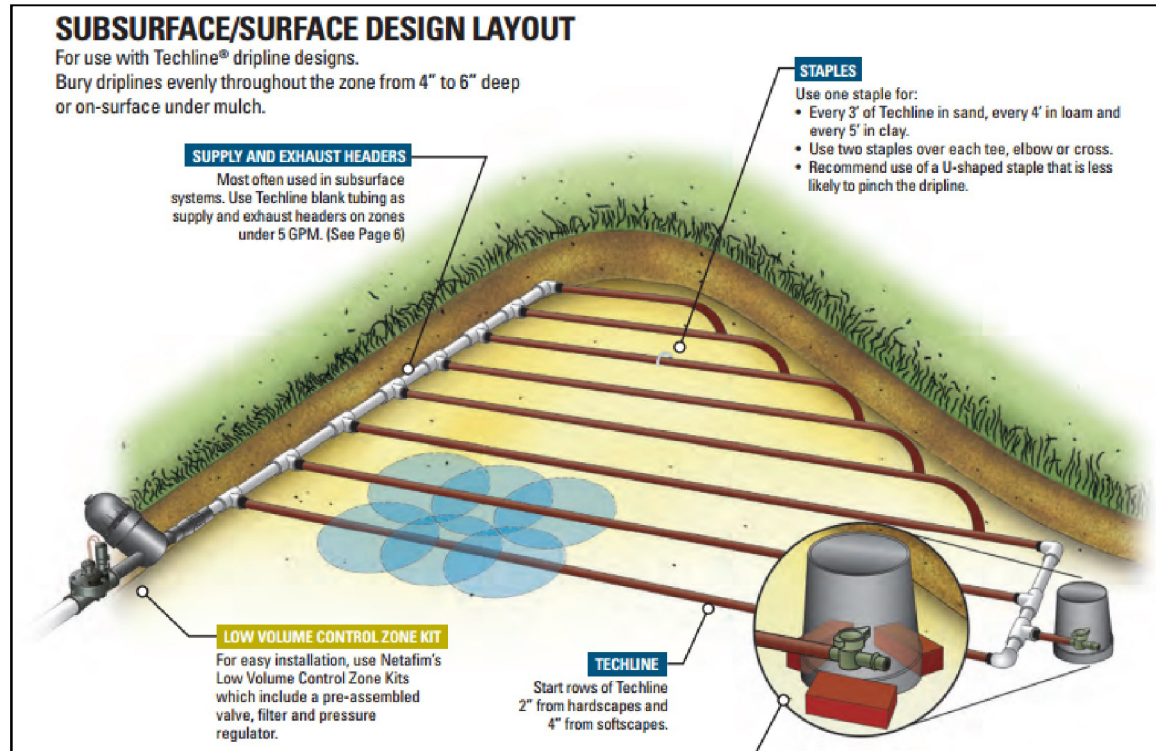
- Use one staple for:
- Every 3' of Techline in sand, every 4' in loam and every 5' in clay.
  - Use two staples over each tee, elbow or cross.
  - Recommend use of a U-shaped staple that is less likely to pinch the dripline.

#### LOW VOLUME CONTROL ZONE KIT

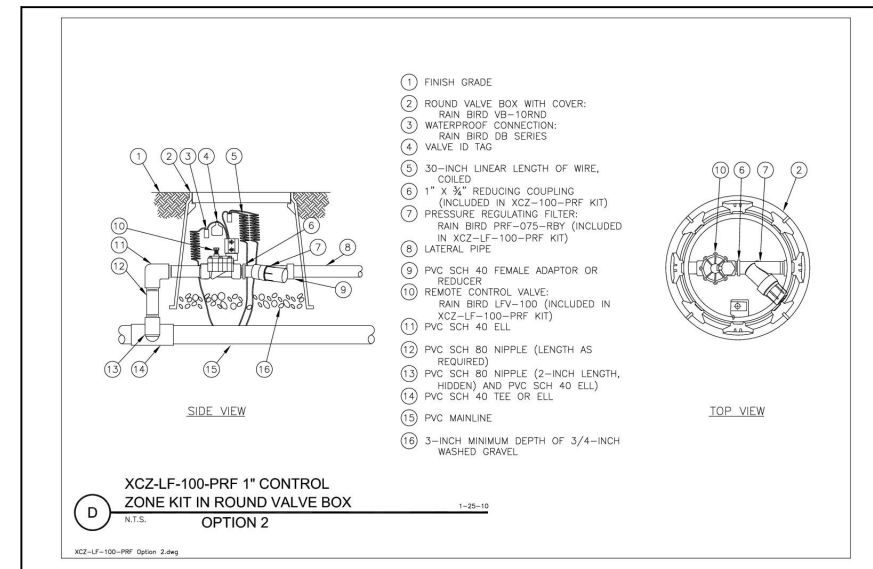
For easy installation, use Netafim's Low Volume Control Zone Kits which include a pre-assembled valve, filter and pressure regulator.

#### TECHLINE

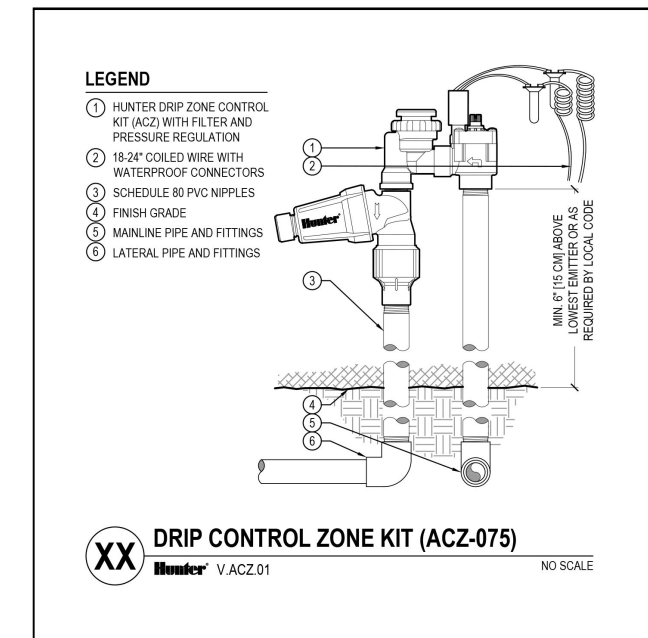
Start rows of Techline 2" from hardscapes and 4" from softscapes.



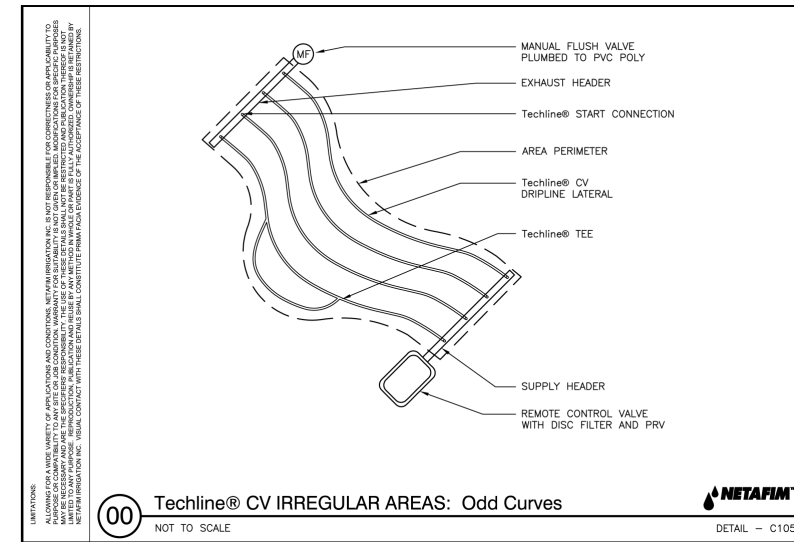
## Globe Valve Drip Control Zone Kit



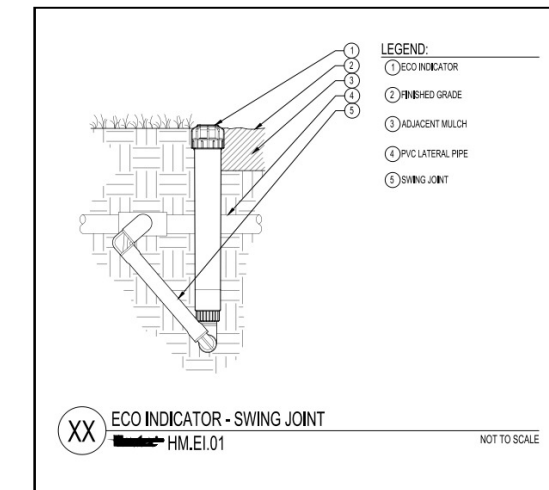
## Anti-Syphon Drip Control Zone Kit



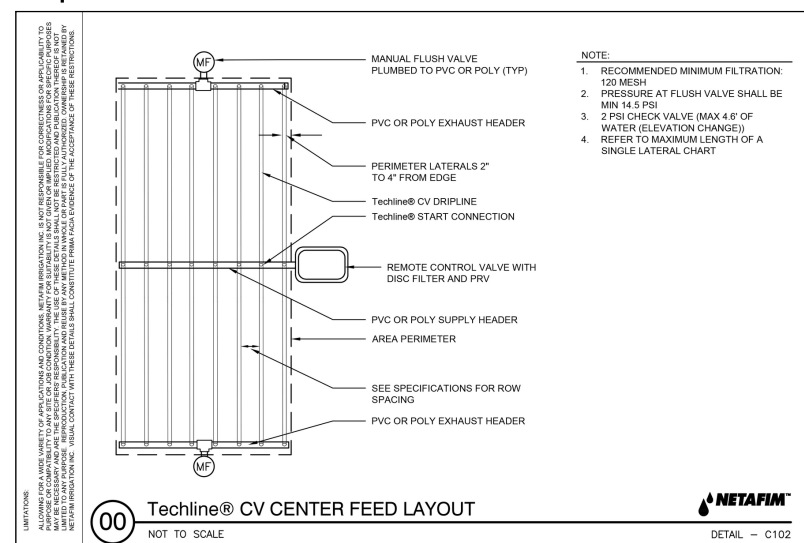
## Drip Grid Irregular Areas



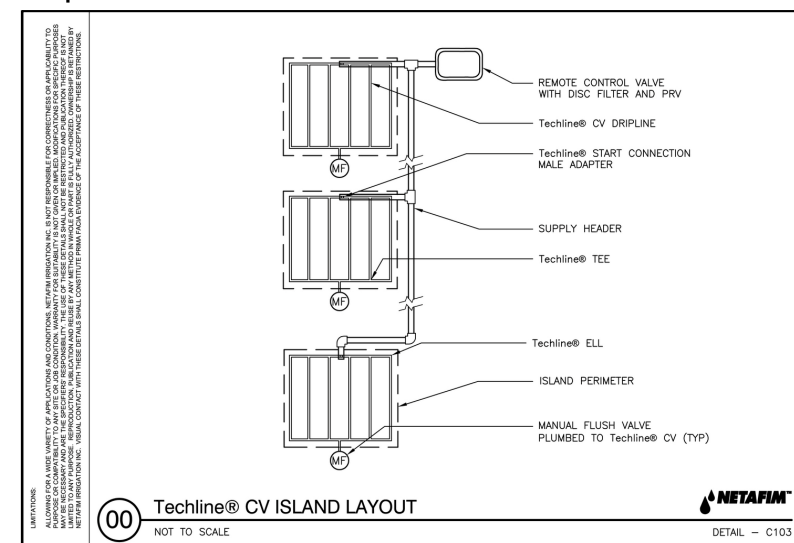
## Drip Pop-Up Indicators



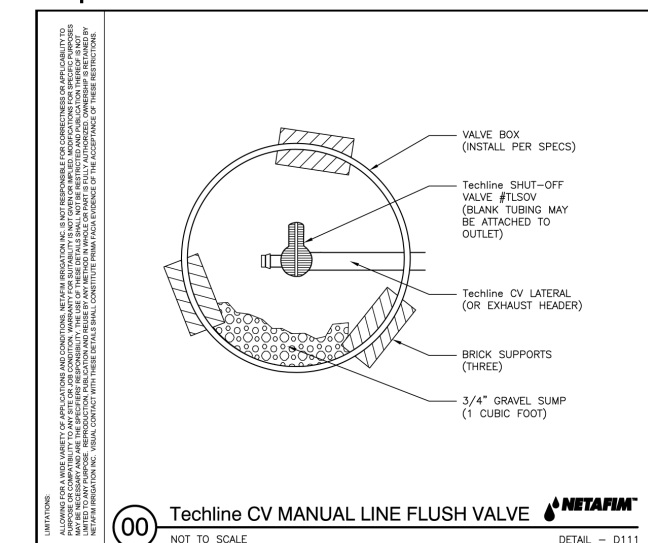
## Drip Grid Center Feed



## Drip Grid Islands



## Drip Shut-Off Valves



Lori Palmquist  
CID, CIC, CLIA, CLWM  
Irrigation Design & Consulting  
support@loripalmquist.com  
510-374-6360



**SHEET DESCRIPTION:**  
Irrigation Details

**PROJECT:**  
Water-wise and Fire-smart Gardens



**REVISIONS:**  
None

**DATE:**  
2022

**JOB NUMBER:**  
1

**DRAWN BY:**  
LP

**CHECKED BY:**  
CB

**SCALE:**  
No scale

**SHEET:**  
2 of 2